

ANACON POWER & CONTROLS

An Anacon Electronic Sales Inc. Company

100 Powder Mill Rd. Suite 162 Acton, MA 0120 - TEL: 800-466-9080 - 978-287-0715
www.anaconpower.com - email: sales@anaconusa.com

**10-50 AMP Rated
Current Transformer**

"COOL ONE" Top Mount 10-50A Current Transformer Assembly



APC5048CT
Current Transformer Module



APC7130 SSR Assembly
w/ APC5048CT Mounted

Functions as a load monitor for currents up to 50A AC. Current Transformer circuitry provides for either 0-50 ma ac or 0-10 volts dc, adjustable from a multi turn pot. The Current Transformer provides 1ma per amp. Assembly mounts on top of any solid state relay via press-on adaptor which also provides touch safe feature for active high voltage terminal of relay and allows the relay assemblies to be mounted side by side to save space.

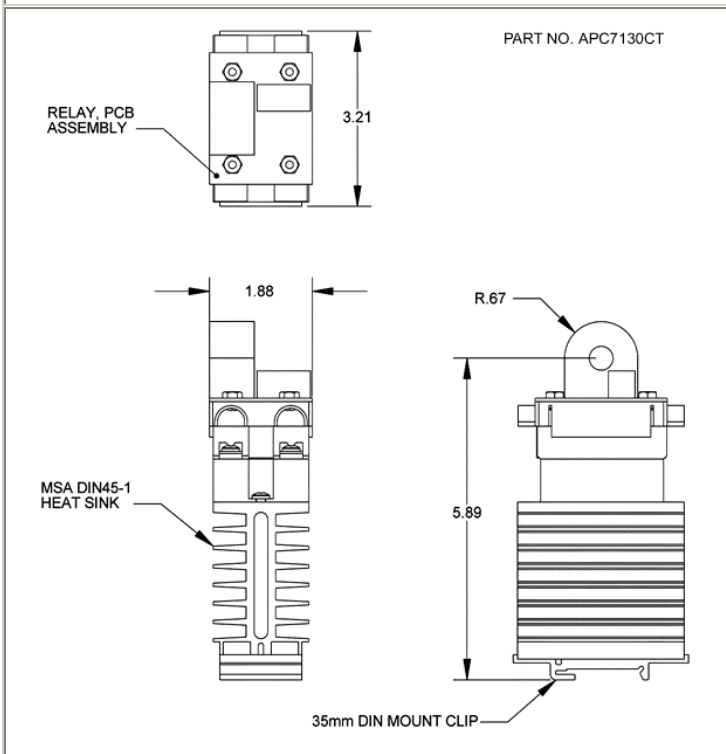
Standard "COOL ONE" Features:

- 0-10vdc signal proportional input amps
- Output voltage pot adjustable from 10 to 50Amps
- Over voltage zener protected to 15Vdc
- CT output 1ma/A
- Attaches to all standard Hockey Puck Style SSR's
- 2 3/16" Snap Track Mountable
- Small outline maintains SSR DIN side by side mounting

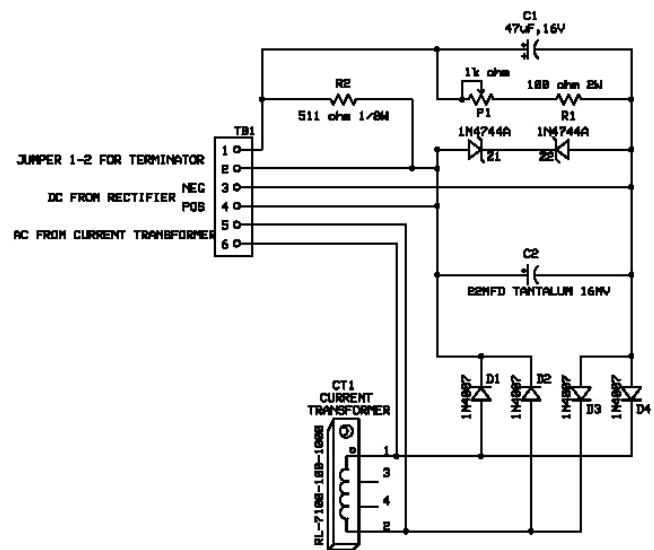
SPECIFICATIONS

PART NUMBER	LINE CURRENT	CT OUTPUT	LINE VOLTAGE	TRANSIENT VOLTAGE	RELAY TYPE
APC5048CT	10-50Amps AC	1ma AC per Amp or 0-10Vdc	24-660Vac	Zener Protected to 15Vdc Max	Zero Cross or RTO

MECHANICAL DRAWING



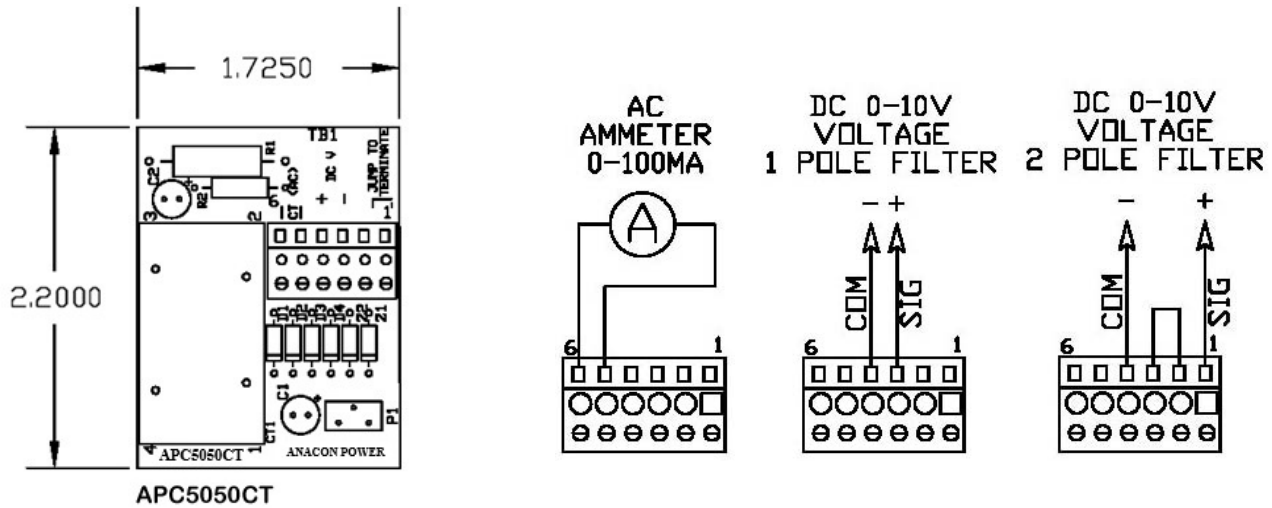
CT BOARD SCHEMATIC



"COOL ONE" Top Mount 10-50A Current Transformer Assembly

CONNECTION DIAGRAMS

The APC5048CT provides an adjustable DC voltage when a lead from relay output terminal is passed through the CT opening to the load. The output can be scaled by adjusting the trim pot "P1" which is provided on the APC5048CT. This will allow the user to achieve a 0-10Vdc full scale for any current from 10A to 50A.



NOTES:

The APC5048CT can be used to monitor load currents lower than 10Amps by following the equation:
 $A \times (1+T) = 10$. Where A= Load Current and T = the number of loops through the APC5048CT.

For example if A= 3Amps and T = 3, then $3 \times (1+3) = 12$.

In this example, three loops around the CT will make the 3Amps look like 12Amps to the APC5048CT. The result will meet the minimum value necessary to adjust the pot "P1" to 10Vdc full scale.