

ANACON POWER & CONTROLS

An Anacon Electronic Sales Inc. Company

100 Powder Mill Rd. Suite 162 Acton, MA 0120 - TEL: 800-466-9080 - 978-287-0715

www.anaconpower.com - email: sales@anaconusa.com

75 AMP Rated

"COOL ONE" PANEL MOUNT Solid State Relay Assembly (SSR)



Heat Sink Dimensions: 5.25" x 3.0" x 2.75"

Overall size w/Single SSR and Touch Safe Cover & DIN Clip: 5.25" x 3.0" x 4.25"

Anacon's "Cool One" heat sink designs provide a thermally optimized Panel mounting platform for today's high performance solid state relays. The listings below provide the actual load currents that each part type will support. If you're not sure about how to select the correct product for your application, call Anacon, toll free and discuss your application with us.

Standard "COOL ONE" Features:

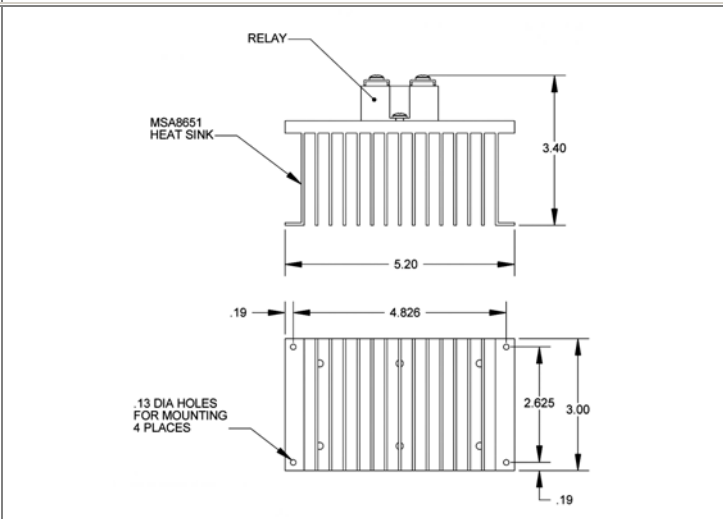
- All Anacon SSR Assemblies use relays tested to UL508A SCCR standards.
- Current Rating 75A @ 40 Degrees C Ambient
- **75 Amp Rated** Power Heat Sink Assembly
- **.8 Degrees C/ Watt** Heat Sink Thermal Resistance
- Zero Cross Relays
- Output voltages from 24Vac to 660Vac
- Standard DC or AC Control Versions
- Standard **LED** Status Indicator
- Regulated Inputs- Back to Back SCR Design
- Standard Built in Transient Protection
- Standard Relays, UL/cUL Recognized, TUV Approved & CE Compliant Version
- SSR Monitor Cards Available, add suffix (-SM)
- Current Transformer Cards Available, add suffix (-CT)
- Touchsafe Relay Cover Provided
- For Safety & Noise Immunity Compliance information, see page ____.

SPECIFICATIONS

PART NUMBER	INPUT RANGE	LOAD CURRENT	LINE VOLTAGE	TRANSIENT VOLTAGE	RELAY TYPE
APC1061P	3-32Vdc	75A @ 40 Degrees C Ambient	24-280Vac	600V Peak	Zero Cross
APC1061-1P	90-280Vac	75A @ 40 Degrees C Ambient	24-280Vac	600V Peak	Zero Cross
APC1061-2P	3-32Vdc	75A @ 40 Degrees C Ambient	48-660Vac	1200V Peak	Zero Cross
APC1061-3P	90-280Vac	75A @ 40 Degrees C Ambient	48-660Vac	1200V Peak	Zero Cross

- Notes:**
- Ratings based upon 100% duty cycle for 20 minutes or 80% duty cycle continuous.
 - Ratings based upon relays being mounted either individually or side by side with zero spacing.
 - Cool One's unique construction allows better performance than conventional heat sink designs even when mounted side by side.
 - Monitor Output faults or load alarms with Anacon's SSR Monitor Cards available for all DIN mount relays. See APC MON datasheet for details, page ____.

MECHANICAL DRAWING



THERMAL CURVE

